

Stainless Steel Fitted Basic Pump



Self Priming Centrifugal Pump

Model T2A61-B

Size 2" x 2"

VARIOUS PATENTS APPLY

PUMP SPECIFICATIONS

Size: 2" x 2" (51 mm x 51 mm) NPT - Female.**Casing:** Gray Iron 30.**Maximum Operating Pressure** 79 psi (545 kPa).***Semi-Open Type, Two Vane Impeller:** Stainless Steel 316.

Handles 1 1/2" (38,1 mm) Diameter Spherical Solids.

Impeller Shaft: Stainless Steel 17-4 PH.**Shaft Sleeve:** Stainless Steel 316.**Replaceable Wear Plate:** Stainless Steel 316.**Removable Cover Plate:** Gray Iron 30; 20 lbs. (9 kg).**Seal Plate:** Stainless Steel 316.**Externally Replaceable Flap Valve:** Neoprene w/Steel Reinforcing.**Bearing Housing:** Gray Iron 30.**Radial Bearing:** Open Single Row Ball.**Thrust Bearing:** Open Double Row Ball.**Bearing and Seal Cavity Lubrication:** SAE 30 Non-Detergent Oil.**Flanges:** Gray Iron 30.**Gaskets:** Buna-N, Vegetable Fiber, Cork and Rubber.**O-Rings:** Buna-N.**Internal Wetted Hardware:** Stainless Steel 316.**External Hardware:** Standard Plated Steel.**Stainless Steel 316 Pressure Relief Valve.****Bearing and Seal Cavity Oil Level Sight Gauges.****Optional Equipment:** Automatic Air Release Valve. 120V/240V

Casing Heater. High Pump Temperature Shutdown Kit.

CD4MCu Stainless Steel Seal Plate, Wear Plate and Impeller.

Self-Cleaning Wear Plate.

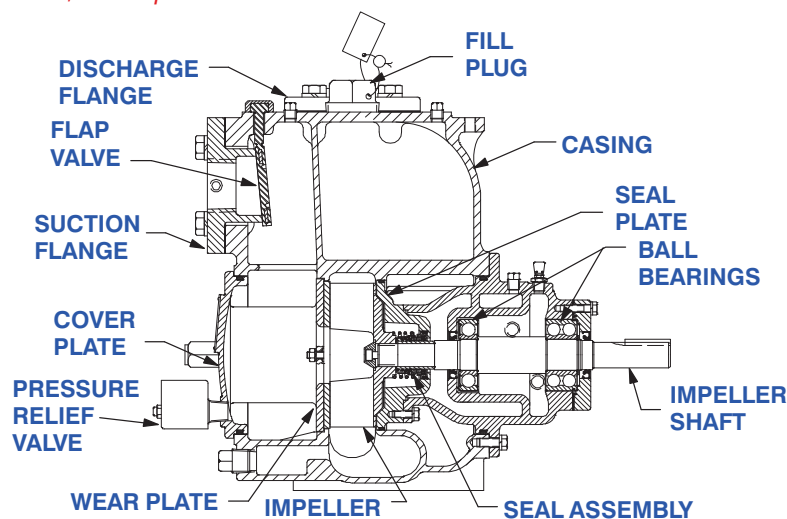
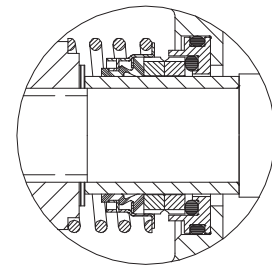
Gray Iron 30 Suction and Discharge Spool Flanges:

2" ASA (Specify Model T2A61-B /F).

50 mm DIN 2527 (PN 16) (Specify Model T2A61-B /FM).

**Consult Factory for Applications Exceeding Maximum Pressure and/or Temperature Indicated.*

Shown with Optional Suction & Discharge Spool Flanges (Available in ASA or DIN Standard Sizes).



SEAL DETAIL

Mechanical, Oil-Lubricated, Double Floating, Self-Aligning. Silicon Carbide Rotating and Stationary Faces. Stainless Steel 316 Stationary Seat. Fluorocarbon Elastomers (DuPont Viton® or Equivalent). Stainless Steel 18-8 Cage and Spring. Maximum Temperature of Liquid Pumped, 160°F (71°C).*



THE GORMAN-RUPP COMPANY • MANSFIELD, OHIO

GORMAN-RUPP OF CANADA LIMITED • ST. THOMAS, ONTARIO, CANADA

www.grpumps.com

Specifications Subject to Change Without Notice

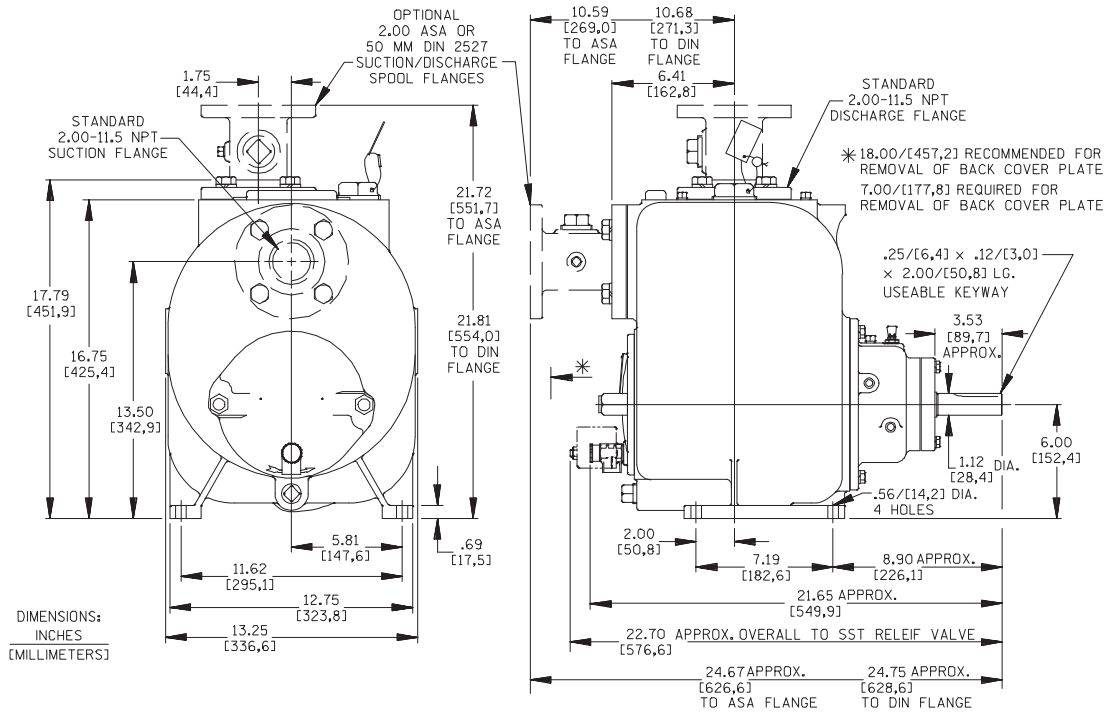
Printed in U.S.A.

Specification Data

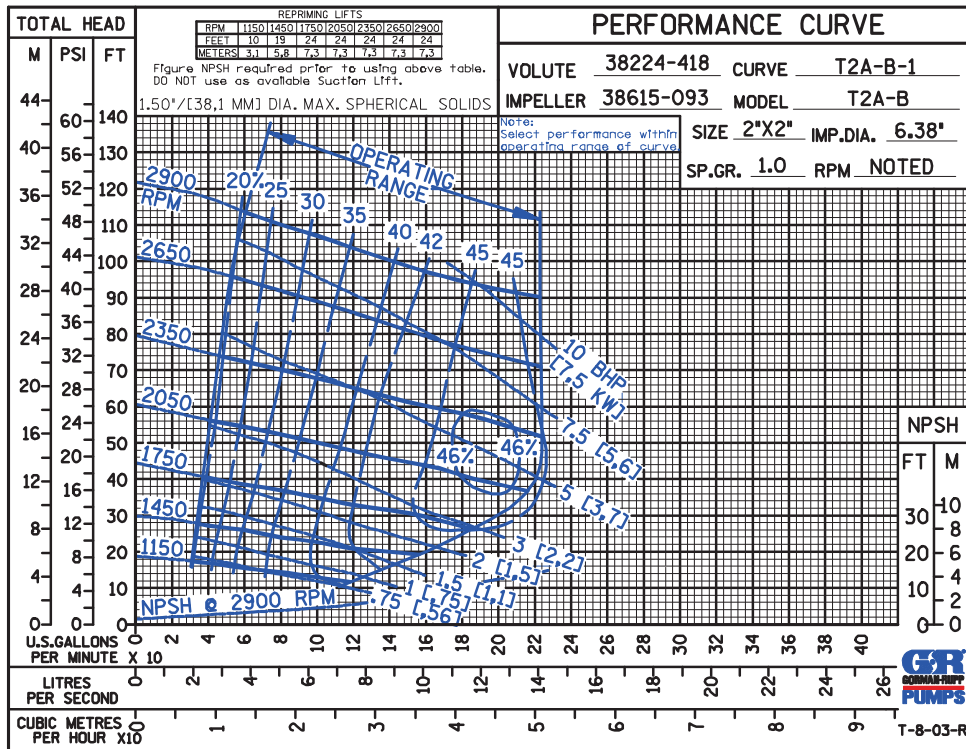
SECTION 55, PAGE 986

APPROXIMATE DIMENSIONS and WEIGHTS

NET WEIGHT: 220 LBS. (100 KG.)*
SHIPPING WEIGHT: 230 LBS. (104 KG.)*
EXPORT CRATE: 7.9 CU. FT. (0,22 CU. M.)
***ADD 8 LBS. (3,6 KG.) W/EACH SPOOL FLANGE**



OPTIONAL ASA OR DIN STANDARD SUCTION & DISCHARGE SPOOL FLANGES AVAILABLE



THE GORMAN-RUPP COMPANY • MANSFIELD, OHIO

GORMAN-RUPP OF CANADA LIMITED • ST. THOMAS, ONTARIO, CANADA

Specifications Subject to Change Without Notice

Printed in U.S.A.